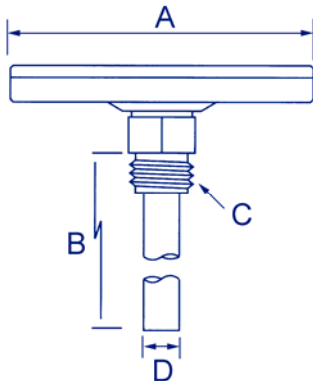


THERMOMETERS



31

BI-METALLIC MOVEMENT TEMPERATURE GAUGE



Part No 31

FREE-STANDING WITH BACK CONNECTION

A DIAL SIZE	100	150
B	50, 100 & 150	50, 100 & 150
C	1/2 BSP	1/2 BSP
D	12	12

These temperature gauges have black steel cases, acrylic windows and brass pockets as standard. They combine the benefits of economy and reliability offering an easy to read dial, fast response and accurate temperature indication.

Correct installation is of great importance in obtaining accurate measurements. The whole length of the bulb and pocket should be fitted so that the medium being measured flows freely around it.

The pockets supplied are essential to protect thermometers against high pressures and corrosive materials, they are also required when instruments need to be removed without draining or de-pressurising the system

Features & Benefits

- Complies with BS1041 Section 2.2 :1989
- DIN 16203 & DIN 16204.
- Economical & reliable.

MATERIALS	
Case	Black Steel
Pocket	Brass
Window	Acrylic

MODEL	DIAL	RANGE	POCKET LENGTH
31/624/0	100mm	-20 to 60°C&F	50mm
31/644/0	100mm	-20 to 60°C&F	100mm
31/664/0	100mm	-20 to 60°C&F	150mm
31/621/0	100mm	0 to 120°C&F	50mm
31/641/0	100mm	0 to 120°C&F	100mm
31/661/0	100mm	0 to 120°C&F	150mm
31/628/0	100mm	0 to 160°C&F	50mm
31/648/0	100mm	0 to 160°C&F	100mm
31/668/0	100mm	0 to 160°C&F	150mm
31/924/0	150mm	-20 to 60°C&F	50mm
31/944/0	150mm	-20 to 60°C&F	100mm
31/964/0	150mm	-20 to 60°C&F	150mm
31/921/0	150mm	0 to 120°C&F	50mm
31/941/0	150mm	0 to 120°C&F	100mm
31/961/0	150mm	0 to 120°C&F	150mm
31925/0	150mm	0 to 160°C&F	50mm
31/945/0	150mm	0 to 160°C&F	100mm
31/965/0	150mm	0 to 160°C&F	150mm